



# DCM-500B\_K-OS

## OPTI-SERVE SERIES SANITARY CUBELET ICE MACHINE/DISPENSER




DCM-500B\_K-OS  
08/13/25  
Item # 13147K

Item #: \_\_\_\_\_  
Project: \_\_\_\_\_  
Qty: \_\_\_\_\_  
AIA#: \_\_\_\_\_

### Features

- ▶ Durable stainless steel exterior
- ▶ Opti-Serve touchless ice and water
- ▶ Environmentally friendly R290 hydrocarbon refrigerant
- ▶ Stainless steel auger with greaseless bearing

- Up to 597 lbs. of ice production per 24 hours
- Built-in storage capacity of 1.3ft<sup>3</sup>/40 lbs.\*
- Advanced CleanCycle24™ design 
- 2 second flush cycle every hour
- Corrosion resistant stainless steel exterior
- Easy to chew, cubelet ice
- Self-contained design reduces opportunities for cross contamination
- Dispenses ice and water

#### Warranty:

3 Year Parts & Labor on entire machine.  
5 Year Parts on Compressor; air-cooled condenser coil.  
Valid in United States, Canada, Puerto Rico and U.S. Territories. Contact factory for warranty in other countries.

\*Rated in accordance with AHRI Standard 820(I-P). Capacity based on 100% of total volume x 30 lb/ft<sup>3</sup> average density of ice.

Shipping: (LxWxH) 33" x 25.25" X 46"    Volume: 22.18ft<sup>3</sup>

W x D x H  
26" x 22<sup>1</sup>/<sub>2</sub>" x 40"

SD-500  
25<sup>9</sup>/<sub>10</sub>" x 22" x 32<sup>3</sup>/<sub>4</sub>"



**DCM-500BAK-OS**  
Air-Cooled  
Shown with optional  
SD-500 Stand

**DCM-500BWK-OS**  
Water-Cooled

\*Hands-free sensor designed for use with opaque containers.

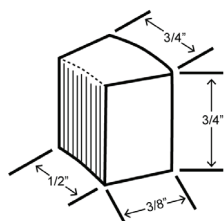
Not intended for outdoor use - avoid placement in direct sunlight.



### ICE PRODUCTION      WATER USAGE      ELECTRICAL

Condenser	Model	Air / Water Temp Lbs. per 24 hours		Potable	Condenser	kWh Used per 100 lbs.	Min. Circuit/Max. Fuse Size	Amperage	Voltage	Circuit Wires (including ground)	Heat Rejection BTU/hr.	Refrigerant Charge Amount	Net / Ship Weight (lbs.)
		70°/50°F	90°/70°F	Gal. per 100 lbs. 90°/70°F	Gal. per 100 lbs. 90°/70°F								
Air-Cooled	DCM-500BAK-OS	597	470	12.0	N/A	4.7	20A	6.7A	115V/60/1	3	6,100	4.7 oz.	251 / 255
Water-Cooled	DCM-500BWK-OS	610	520	12.0	112	3.85	20A	6.7A	115V/60/1	3	5,600	4.6 oz.	245 / 255

### Cubelet Dimensions\*



\* approximate size in inches, image not to scale

### Operating Limits

- Ambient Temp Range 45 - 100°F
- Water Temp Range 45 - 90°F
- Water Pressure 10 - 113 PSIG
- Voltage Range 108 - 127V
- If GFCI is required, a GFCI breaker MUST be used in lieu of GFCI receptacle

### Service

- Allow 6" (15 cm) clearance at rear and sides for proper air circulation and ease of maintenance/service should they be required. Allow 24" (61 cm) clearance at top to allow for removal of the auger.

Not intended for outdoor use - avoid placement in direct sunlight.

### Plumbing

- Icemaker Water Supply Line: Min. 1/4" Nominal ID Copper Water Tubing or Equivalent
- Icemaker Drain Line: Min. 3/4" Nominal ID Hard Pipe or Equivalent Water-Cooled Model (Lines Must Be Independent of Icemaker)
- Condenser Water Supply Line: Min. 1/4" Nominal ID Copper Water Tubing or Equivalent
- Condenser Drain/Return Line: Min. 1/4" Nominal ID Hard Pipe (open drain system) or Copper Water Tubing (closed loop system) or Equivalent

### Water Filter

Please refer to water filter specification sheet for recommendations.

Hoshizaki reserves the right to change specifications without notice.

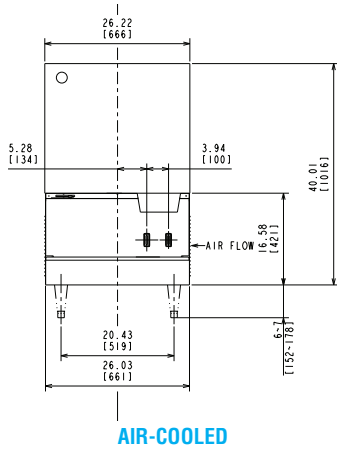


# DCM-500B\_K-OS

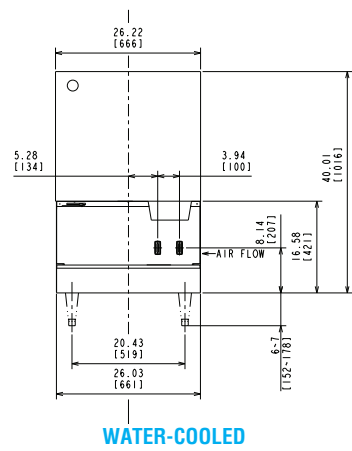
OPTI-SERVE SERIES  
SANITARY CUBELET ICE MACHINE/DISPENSER

DCM-500B\_K-OS  
08/13/25  
Item # 13147K

FRONT VIEW



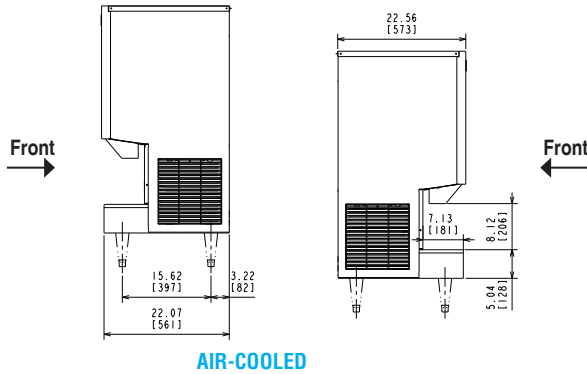
AIR-COOLED



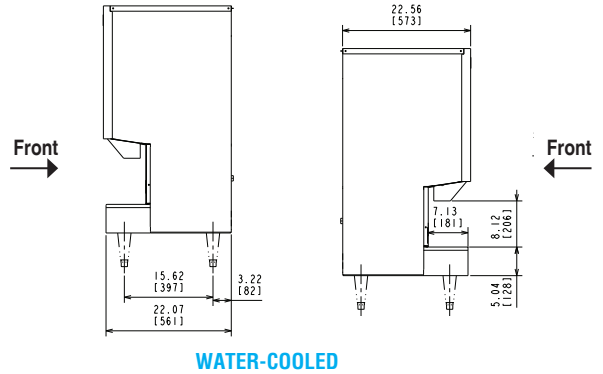
WATER-COOLED

inch  
[mm]

SIDE VIEW

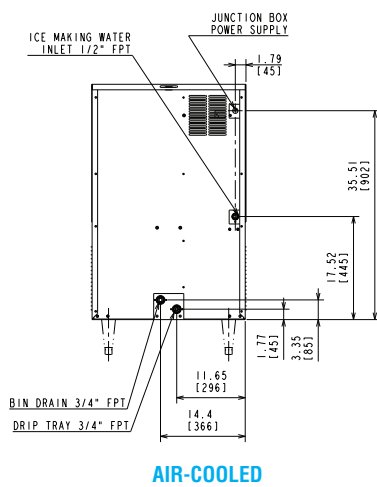


AIR-COOLED

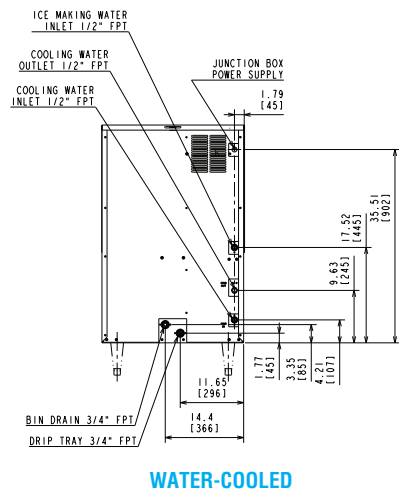


WATER-COOLED

REAR VIEW

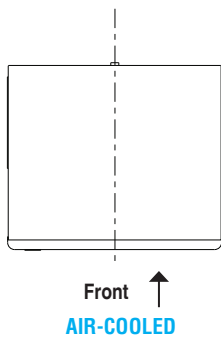


AIR-COOLED

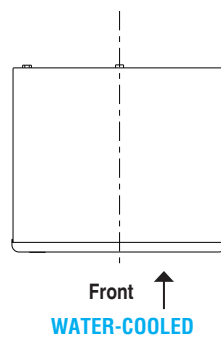


WATER-COOLED

TOP VIEW



AIR-COOLED



WATER-COOLED