



F-822MAK(-C)

Modular Ice Machine
Slim-Line Series



F-822MAK




F-822MAK-C

F-822M_K(-C)
11/13/25
Item # 13037K

Item #: _____
Project: _____
Qty: _____
AIA#: _____

Features

- ▶ **Advanced CleanCycle24™ design** 
- ▶ **Environmentally friendly R290 hydrocarbon refrigerant**
- ▶ **Stainless steel auger with greaseless bearing**

- Durable stainless steel exterior
- Flaker - Up to 750 lbs. of ice production per 24 hours
- Cubelet - Up to 653 lbs. of ice production per 24 hours
- Mount two units, side-by-side, in only 44" of floor space for double the amount of ice production
- 2 second flush cycle every hour
- Flush cycle removes sediment for cleaner ice
- Ultrasonic sensor opening

Available on Bins:

B-250SF B-500SF B-800SF B-1150SS B-1500SS*
B-300SF B-700SF B-900SF B-1300SS B-1650SS*

Top kit may be required. See Bin Spec Sheets. *Two unit application only.

Warranty:

3 Year Parts & Labor on entire machine. 5 Year Parts on Compressor; air-cooled condenser coil. Valid in United States, Canada, Puerto Rico and U.S. Territories. Contact factory for warranty in other countries.

Shipping: (LxWxH) 28.5" x 26.75" X 32" Volume: 14ft³

W x D x H
22" x 24 1/4" x 26"

F-822MAK ★
Air-Cooled Flaker
shown on B-500SF bin

F-822MAK-C ★
Air-Cooled Cubelet



F-822MAK-C
shown with 24"
Lancer Dispenser

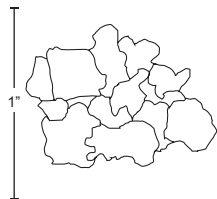


Condenser	Model	ICE PRODUCTION				WATER USAGE			ELECTRICAL				
		Air / Water Temp Lbs. per 24 hours 70°/ 50°F	90°/ 70°F	Potable Gal. per 100 lbs. 90°/ 70°F	Condenser Gal. per 100 lbs. 90°/ 70°F	kWh Used per 100 lbs. 90°/ 70°F	Min. Circuit/ Max. Fuse Size	Amperage	Voltage	Circuit Wires (including ground)	Heat Rejection BTU/hr.	Refrigerant Charge Amount	Net / Ship Weight (lbs.)
Air	F-822MAK	750	560	12.0	N/A	3.95	20A	9.7A	115V/60/1	3	6,400	5.3 oz.	181 / 190
Air	F-822MAK-C	653	525	12.0	N/A	4.45	20A	9.7 A	115V/60/1	3	6,400	5.3 oz.	181 / 190

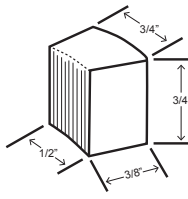
Power cord not included. Must be hard-wired at site.

Cube Dimensions*

Flaked
F-822MAK



Cubelet
F-822MAK-C



* approximate size in inches, image not to scale

Operating Limits

- Ambient Temp Range 45 - 100°F
- Water Temp Range 45 - 90°F
- Water Pressure 10 - 113 PSIG
- Voltage Range 108-127V
- If GFCI is required, a GFCI breaker MUST be used in lieu of GFCI receptacle

Service

- Panels easily removed and all components accessible for service.
- Removable/cleanable air filter (Air-cooled model only)
- Allow 6" (15 cm) clearance at rear and sides, and 24" (61 cm) clearance at top for proper air circulation and ease of maintenance/service.

Plumbing

- Icemaker Water Supply Line: Minimum 1/4" Nominal ID Copper Water Tubing or Equivalent
- Icemaker Drain Line: Minimum 3/4" Nominal ID Hard Pipe or Equivalent

Water-Cooled Model (Lines Must Be Independent of Icemaker)

- Condenser Water Supply Line: Minimum 1/4" Nominal ID Copper Water Tubing or Equivalent
- Condenser Drain/Return Line: Minimum 1/4" Nominal ID Hard Pipe (open drain system) or Copper Water Tubing (closed loop system) or Equivalent

Hoshizaki reserves the right to change specifications without notice.

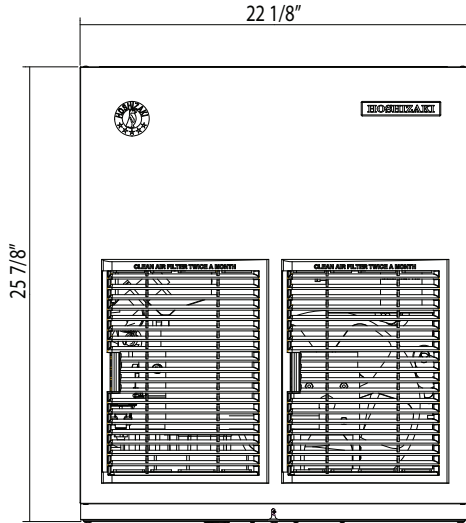


F-822MAK(-C)

Modular Ice Machine
Slim-Line Series

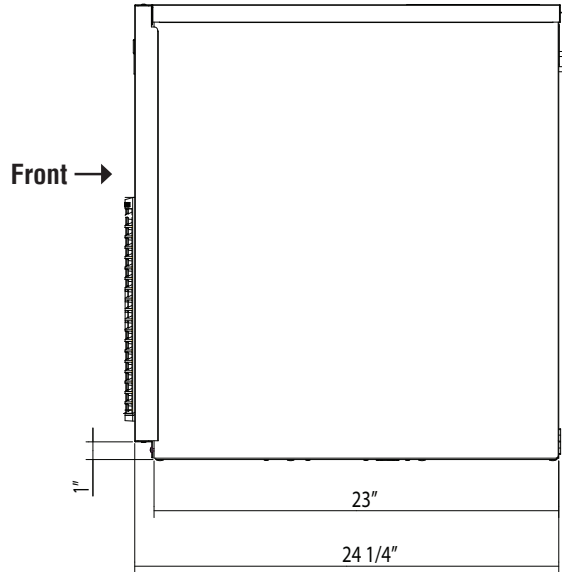
F-822M_K(-C)
11/13/25
Item # 13037K

FRONT VIEW

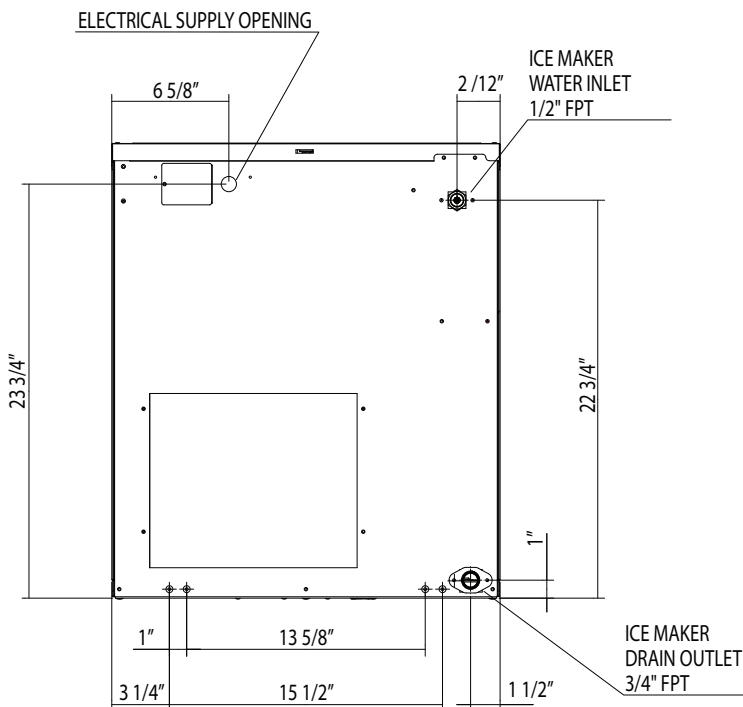


SIDE VIEW

mm
[inch]



REAR VIEW



BOTTOM VIEW

