



IM-200BAK

SELF-CONTAINED SQUARE CUBER WITH BUILT-IN STORAGE BIN



IM-200BAK
10/01/25
Item # 13548K

W x D x H
39^{1/2}" x 23^{5/8}" x 33^{1/2}"*
*including 6" legs



IM-200BAK
Air-Cooled



Features

- ▶ Large, individual, clear square cubes
- ▶ Self-contained with built-in storage bin
- ▶ Environmentally friendly R290 hydrocarbon refrigerant
- ▶ Each cube is made individually by a dedicated jet spray

- Up to 186 lbs. of ice production per 24 hours
- Built-in storage capacity 75 lbs.*
- EverCheck™ alert system
- Durable stainless steel exterior
- Removable air filter
- Ice scoop included
- Five 6" adjustable legs are standard
- 6' power cord with NEMA 5-15P plug

Warranty:

3 Year Parts & Labor on entire machine. 5 Year Parts on Compressor; air-cooled condenser coil. Valid in United States, Canada, Puerto Rico and U.S. Territories. Contact factory for warranty in other countries.

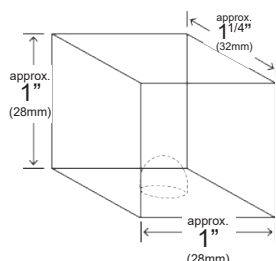
Shipping: (LxWxH) 43^{1/4}" x 26^{3/4}" X 34^{1/8}" Volume: 22.85ft³



Condenser	Model	ICE PRODUCTION		WATER USAGE		ELECTRICAL			Storage Capacity	Heat Rejection BTU/hr.	Refrigerant Charge Amount	Net / Ship Weight (lbs.)
		Air / Water Lbs. per 24 hours 70°/ 50°F 90°/ 70°F	Potable Gal. per 100 lbs. 90°/ 70°F	kWh Used per 100 lbs. 90°/ 70°F	Min. Circuit/Max. Fuse Size	Amperage	Voltage					
Air-Cooled	IM-200BAK	186 150	23	6.5	15A	5A	115V/60/1	2.5ft ³ /75lbs.*	4,200	4.4oz	175 / 212	

*Rated in accordance with AHRF Standard 820(I-P). Capacity based on 100% of total volume x 30 lb/ft³ average density of ice.

IM Cube Dimensions*



* approximate size; image not to scale

Operating Limits

- Ambient Temp Range 45 - 100°F
- Water Temp Range 45 - 90°F
- Water Pressure 10 - 113 PSIG
- Voltage Range 108 - 127V
- If GFCI is required, a GFCI breaker MUST be used in lieu of GFCI receptacle

Service

- Panels easily removed and all components accessible for service.
- Removable/cleanable air filter.

Water Filter

Please refer to water filter specification sheet for recommendations.

Plumbing

- Icemaker Water Supply Line: Minimum 1/4" Nominal ID Copper Water Tubing or Equivalent
- Icemaker Drain Line: Minimum 3/4" Nominal ID Hard Pipe or Equivalent

Clearance

- Allow 6" (15 cm) clearance on right side and 2" (5 cm) on rear. Allow 2" (5 cm) on left side and 0" on top or 5/8" (15 mm) on left side and 2" (5 cm) on top for proper air circulation and ease of maintenance/service.
- Do not place more than 33 lbs. on the top panel.

Hoshizaki reserves the right to change specifications without notice.

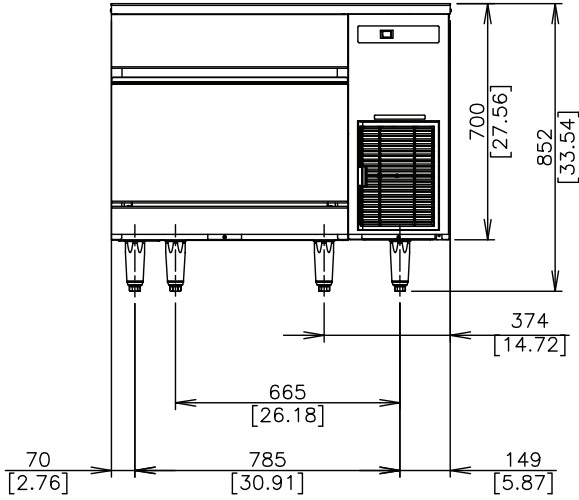


IM-200BAK

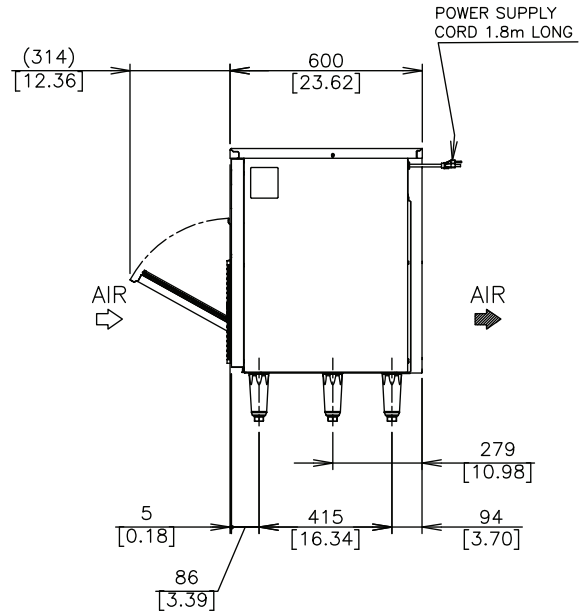
SELF-CONTAINED SQUARE CUBER
WITH BUILT-IN STORAGE BIN

IM-200BAK
10/01/25
Item # 13548K

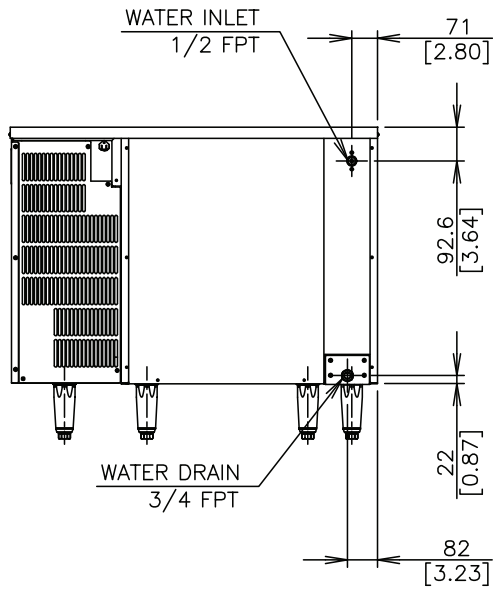
FRONT VIEW



SIDE VIEW



REAR VIEW



BOTTOM VIEW

