



# KM-522/622MAK

SLIM-LINE MODULAR CRESCENT CUBER



KM-522MAK



KM-622MAK

KM-522/622MAK  
01/08/25  
Item # 13260K

**W x D x H**  
22" x 27<sup>3/8</sup>" x 28"

### Air-Cooled


KM-522MAK ★  
KM-622MAK ★





Air-cooled model  
shown on optional bin: B-300



## Features

- ▶ Individual crescent cube
- ▶ Factory-installed ultrasonic bin control can be adjusted on site
- ▶ Environmentally friendly R290 hydrocarbon refrigerant
- ▶ Simple, one-hour cleaning process 

- Durable construction with fewer parts
- Self-diagnostic programming automatically adjusts to changing conditions
- Snap fit parts for easy cleaning
- Stainless steel double-sided evaporator
- CycleSaver™ design 
- EverCheck™ alert system 
- Removable air filters

### Available on Bins/Dispensers:

B-250SF	B-500/SF	B-800SF	B-1150SS	DB-130H
B-300SF	B-700SF	B-900SF	B-1300SS	DB-200H
				DM-200B

*Top kit may be required. See Bin Spec Sheets.*

### Warranty:

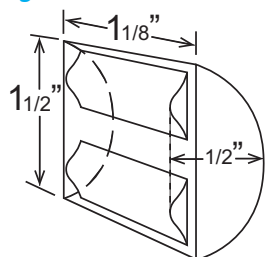
3 Year Parts & Labor on entire machine 5 Year Parts & Labor on evaporator  
5 Year Parts on Compressor; air-cooled condenser coil  
Valid in United States, Canada, Puerto Rico and U.S. Territories. Contact factory for warranty in other countries.

Shipping: (LxWxH) 33.5" x 25.88" X 34.6" Volume: 17.36ft<sup>3</sup>



Condenser	Model	ICE PRODUCTION		WATER USAGE			ELECTRICAL						
		Air / Water Temp Lbs. per 24 hours 70°/50°F 90°/70°F	Potable Gal. per 100 lbs. 90°/70°F	Condenser Gal. per 100 lbs. 90°/70°F	kWh Used per 100 lbs. 90°/70°F	Min. Circuit/ Max. Fuse Size	Amperage	Voltage	Circuit Wires (including ground)	Heat Rejection BTU/hr.	Refrigerant Charge Amount	Net / Ship Weight (lbs.)	
Air	KM-522MAK	548	445	17.0	N/A	5.15	20A	10.8A	115V/60/1	3	8,400	5.3 oz.	145 / 175
Air	KM-622MAK	673	540	17.0	N/A	5.25	20A	14.6A	115V/60/1	3	8,400	5.3 oz.	150 / 180

### KMEdge™ Cube Dimensions\*



\* approximate size in inches, image not to scale

### Operating Limits

- Ambient Temp Range 45 - 100°F
- Water Temp Range 45 - 90°F
- Water Pressure 10 - 113 PSIG
- Voltage Range 104 - 127V
- If GFCI is required, a GFCI breaker MUST be used in lieu of GFCI receptacle

### Service

- Panels easily removed and all components accessible for service.
- Removable/cleanable air filters. (Air-cooled model only)
- Allow 6" (15 cm) clearance at rear, sides, and top for proper air circulation and ease of maintenance/service.

### Plumbing

- Ice maker water supply line: minimum 1/4" nominal ID copper water tubing or equivalent
- Ice maker drain line: minimum 3/4" nominal ID hard pipe or equivalent Water-Cooled Model (Lines Must Be Independent of Ice maker)
- Condenser water supply line: minimum 1/4" nominal ID copper water tubing or equivalent
- Condenser drain/return line: minimum 1/4" nominal ID hard pipe (open drain system) or copper water tubing (closed loop system) or equivalent

### Water Filter

Please refer to water filter specification sheet for recommendations.

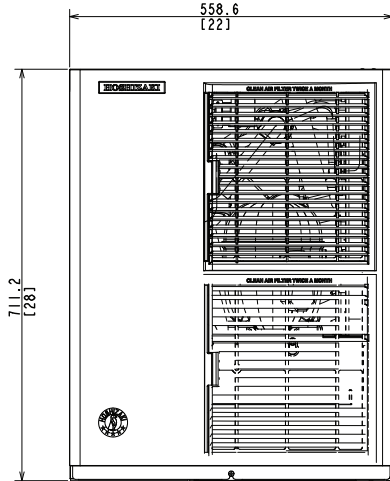


# KM-522/622MAK

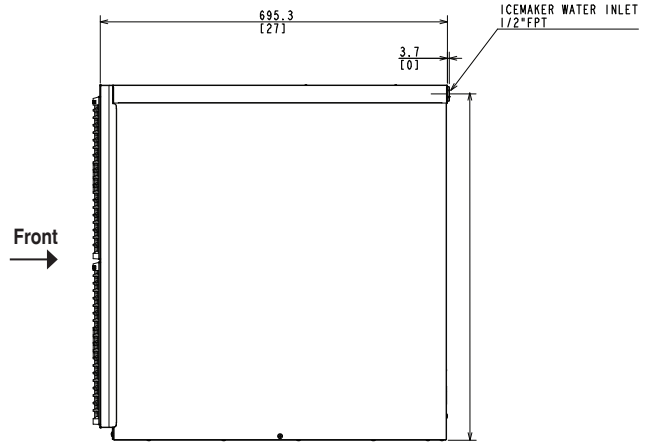
SLIM-LINE MODULAR CRESCENT CUBER

KM-522/622MAK  
01/08/25  
Item # 13260K

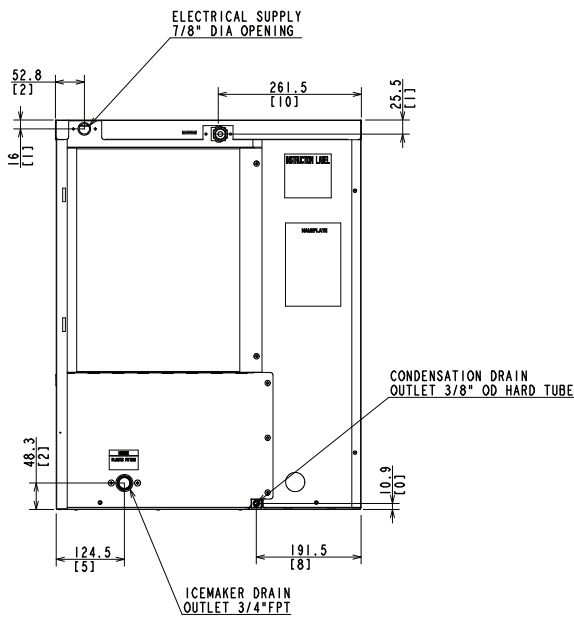
FRONT VIEW



SIDE VIEW



REAR VIEW



BOTTOM VIEW

