



# KMD-410M\_J


## MODULAR CRESCENT CUBER




KMD-410M\_J  
06/05/19  
Item # 13547

Item #: \_\_\_\_\_  
Project: \_\_\_\_\_  
Qty: \_\_\_\_\_  
AIA#: \_\_\_\_\_

### Features

- ▶ Individual crescent cube
- ▶ Stainless steel evaporator
- ▶ CycleSaver™ design 

- Up to 449 lbs. of ice production per 24 hours
- Durable stainless steel exterior
- EverCheck™ alert system 
- Removable air filters (air-cooled model only)
- Designed specifically for use on ice and beverage dispenser (pictured with a Lancer 22" model)
- R-404A Refrigerant

#### Also available on Bins:

**B-250PF**    **B-500PF/SF**    **B-800PF/SF**    **DB-130H**  
**BD-300PF/SF**    **B-700PF/SF**    **B-900PF/SF**

Top kit is required. See Bin Spec Sheets.

#### Warranty:

3 Year Parts & Labor on entire machine. 5 Year Parts & Labor on Evaporator. 5 Year Parts on Compressor; air-cooled condenser coil. Valid in United States, Canada, Puerto Rico and U.S. Territories. Contact factory for warranty in other countries.

Shipping: (LxWxH) 33<sup>3/4"</sup> x 33<sup>1/4"</sup> X 27<sup>5/8"</sup> Volume: 17.94ft<sup>3</sup>

**W x D x H**  
22<sup>1/4"</sup> x 24<sup>1/8"</sup> x 24"

**KMD-410MAJ**  
Air-Cooled  
Shown on optional  
Lancer 22" dispenser

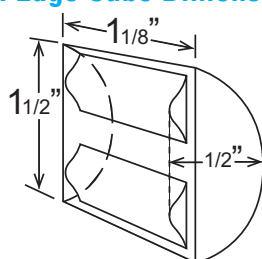
**KMD-410MWJ**  
Water-Cooled



| Condenser | Model      | ICE PRODUCTION  |     | WATER USAGE                                |  | ELECTRICAL                             |  |          |           |  |                              |                              |                             |
|-----------|------------|---|-----|--|--|--|--|----------|-----------|--|------------------------------|------------------------------|-----------------------------|
|           |            | Air / Water Temp<br>Lbs. per 24 hours<br>70° / 50°F    90° / 70°F |     | Potable<br>Gal. per 100 lbs.<br>90° / 70°F | Condenser<br>Gal. per 100 lbs.<br>90° / 70°F | kWh Used<br>per 100 lbs.<br>90° / 70°F | Max. Fuse Sz<br>or HACR<br>Circuit Bkr | Amperage | Voltage   | Circuit<br>Wires<br>(including ground) | Heat<br>Rejection<br>BTU/hr. | Refrigerant<br>Charge Amount | Net / Ship<br>Weight (lbs.) |
| Air       | KMD-410MAJ | 418   | 351 | 23.7                                       | N/A  | 5.7                                    | 20A                                    | 8.2A     | 115V/60/1 | 3                                      | 5,500                        | 1 lb. 0.9 oz.                | 126 / 161                   |
| Water     | KMD-410MWJ | 449   | 436 | 22.9                                       | 108  | 4.1                                    | 20A                                    | 6.6A     | 115V/60/1 | 3                                      | 6,300                        | 14.1 oz.                     | 128 / 163                   |

Power cord not included

### KM Edge Cube Dimensions\*



\* approximate size in inches, image not to scale

### Operating Limits

- Ambient Temp Range    45 - 100°F
- Water Temp Range        45 - 90°F
- Water Pressure            10 - 113 PSIG
- Voltage Range             104-127V

### Service

- Panels easily removed and all components accessible for service.
- For proper air circulation and ease of maintenance/service, allow 6" (15 cm) clearance at rear, left side, and top and 12" (30 cm) clearance at right side for both air-cooled and water-cooled models.

### Plumbing

- Icemaker Water Supply Line: Minimum 1/4" Nominal ID Copper Water Tubing or Equivalent
- Icemaker Drain Line: Minimum 3/4" Nominal ID Hard Pipe or Equivalent

#### Water-Cooled Model (Lines Must Be Independent of Icemaker)

- Condenser Water Supply Line: Minimum 1/4" Nominal ID Copper Water Tubing or Equivalent
- Condenser Drain/Return Line: Minimum 1/4" Nominal ID Hard Pipe (open drain system) or Copper Water Tubing (closed loop system) or Equivalent

### Water Filter

Please refer to water filter spec sheet for recommended configurations.

Hoshizaki reserves the right to change specifications without notice.



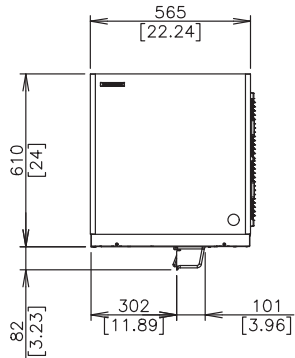
# KMD-410M\_J

## MODULAR CRESCENT CUBER

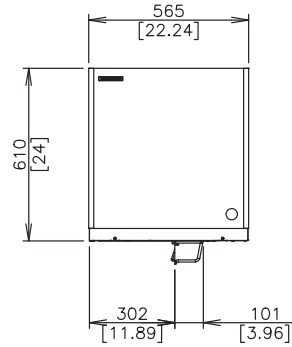


KMD-410M\_J  
06/05/19  
Item # 13547

### FRONT VIEW

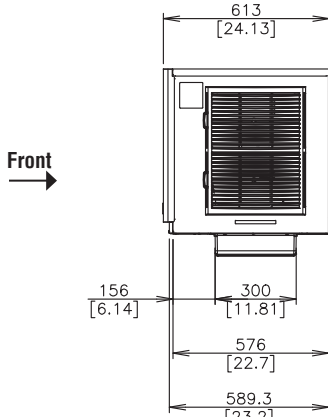


**AIR-COOLED**

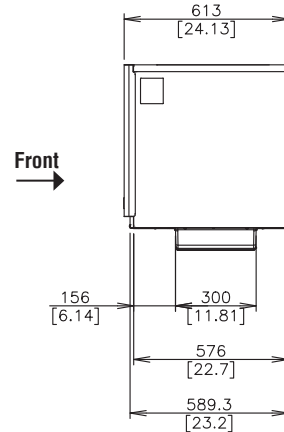


**WATER-COOLED**

### SIDE VIEW

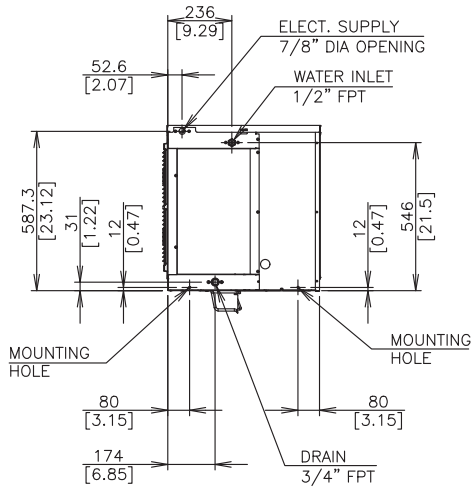


**AIR-COOLED**

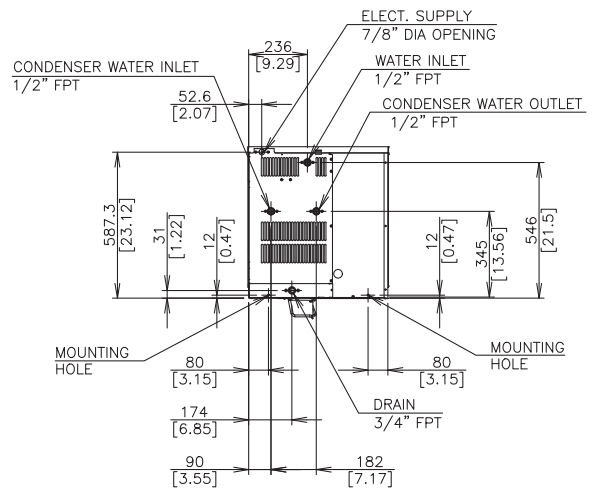


**WATER-COOLED**

### BACK VIEW

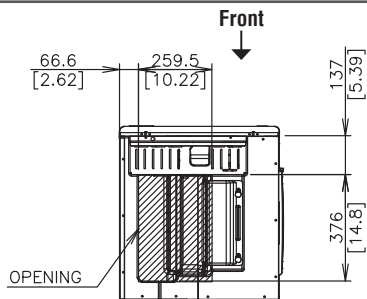


**AIR-COOLED**

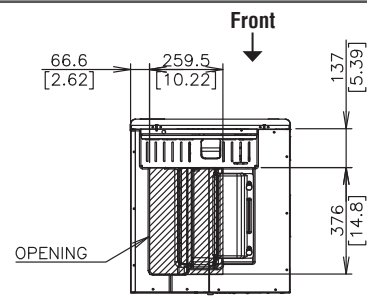


**WATER-COOLED**

### BOTTOM VIEW



**AIR-COOLED**



**WATER-COOLED**