



URC(-FZ)(-JZ)

REMOTE CONDENSER SERIES



URC(-FZ)(-JZ)
10/01/21
Item # 13084Z

Electrical & Operating Limits

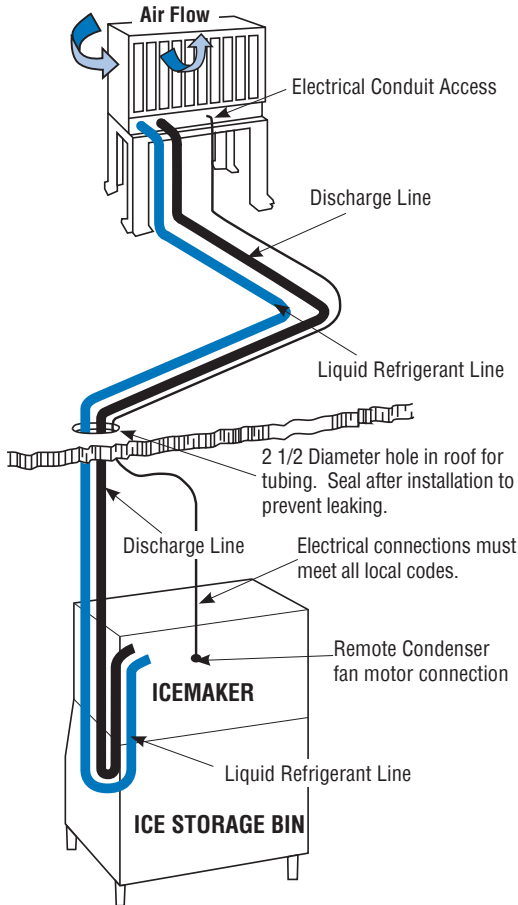
URC-5F(Z) / URC-9F(Z)

URC-14F(Z) / URC-22F(Z) / URC-26J(Z)

- 115V/60/1 (Connection to icemaker)
- Ambient Temp Range -20° - 122°F
- Voltage Range 104 - 127V

REMOTE CONDENSER INSTALLATION ON ROOF

For best performance allow 24 inch clearance for air circulation. Remote condenser should not be more than 33 feet above the KM Icemaker or no more than 10 feet below it. These distances are measured from fitting to fitting.



Icemaker and Storage Bin sold separately

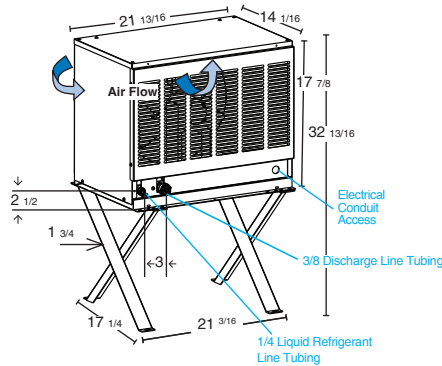


Tubing Kits

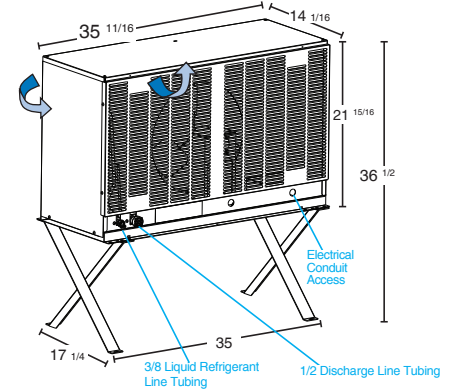
(Sold Separately)

Refer to SPECIFICATIONS table to determine appropriate Tubing Kit Number for Remote Condenser Unit Specified.

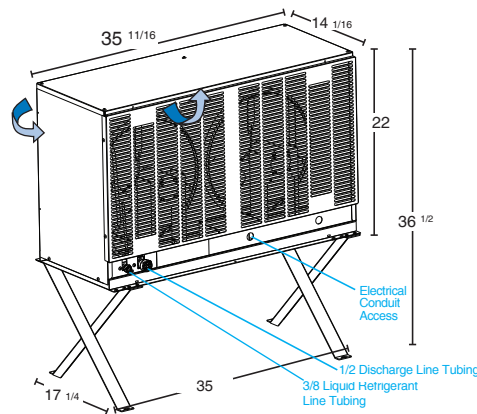
Line sets for Z models require brazing.



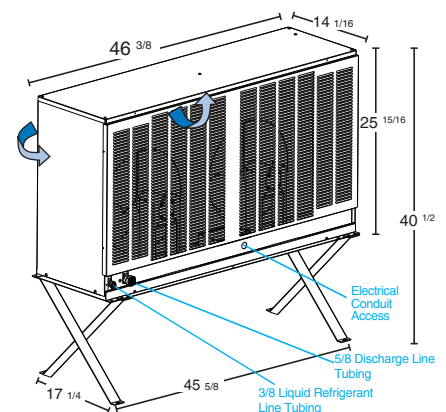
URC-5FZ
21 13/16 x 14 1/16 x 32 13/16
W x D x H (including legs/feet)



URC-9FZ
35 11/16 x 14 1/16 x 36 1/2
W x D x H (including legs/feet)



URC-14FZ
35 11/16 x 14 1/16 x 36 1/2
W x D x H (including legs/feet)



URC-22F(Z) / URC-26JZ
46 3/8 x 14 1/16 x 40 1/2
W x D x H (including legs/feet)

Discharge and liquid refrigerant lines dimensions refer to the line set tubing.