



Get the App!



Indigo NXT Series iP0420 ice machine on D320 bin. Ice machine and bin sold separately.

ICE SHAPES



▶ **Half-Dice:** 3/8" x 1 1/8" x 7/8" (0.95 x 2.86 x 2.22 cm)



▶ **Dice:** 7/8" x 7/8" x 7/8" (2.22 x 2.22 x 2.22 cm)

SIZE

- ▶ Up to 466 lbs (211 kgs) of daily ice production
- ▶ 22" (55.88 cm) wide, 34" (86.36 cm) deep, and 71.5" (181.61 cm) high including 6" (15.24 cm) legs
- ▶ 383 lb (174 kgs) ice bin storage capacity*

*Application capacity based on 90% volume x 33 lbs./ft³ average density of ice

SPECIFICATIONS

Refrigerant: R290

- Air-cooled: 6 oz (170 g)
- Water-cooled: 5.3 oz (150 g)

BTU Per Hour

- ▶ 8,800 (average)
- ▶ 10,570 (peak)

Operating Limits

- ▶ Ambient temperature range: 40° to 110°F (4.4° to 43.3°C)
- ▶ Water temperature range: 40° to 90°F (4.4° to 32.2°C)
- ▶ Water pressure ice maker (water in)
 - Min. 20 psi (137.9 kPa)
 - Max. 80 psi (551.1 kPa)
- ▶ Condenser inlet water in (water-cooled only)
 - Min. 20 psi (137.9 kPa)
 - Max. 276 psi (1,902.95 kPa)

Power: 115/60/1

- ▶ Air-cooled-115V
 - Minimum circuit ampacity: 12 amps
 - Maximum fuse size: 20 amps
- ▶ Water-cooled-115V
 - Minimum circuit ampacity: 11.3 amps
 - Maximum fuse size: 15 amps

FEATURES

- ▶ Sanitation
 - Hinged front door and removable components (water trough, tube, curtain, probe, pump) allow easy interior access and cleaning.
 - Select parts feature AlphaSan[®] antimicrobial protection.
 - DuraTech[™] exterior provides superior corrosion resistance compared to stainless steel. Innovative clear coat resists finger prints and dirt.
 - Optional LuminIce[®] Growth Inhibitor helps control bacteria and yeast, with status indicator on display.
 - ▶ Sustainability & Value
 - R290 offers low global warming potential and zero ozone depletion.
 - Icon-based easyTouch[®] display simplifies operation.
 - Acoustical probe and Active Sense help ensure consistent ice production.
 - 24-hour diagnostics support preventative maintenance.
 - Designed with programmable ice production to take advantage of off-peak rates and/or shut off over night to lower lifetime costs.*
 - Connect via Bluetooth for quick setup and instant machine information.
- *Based on manufacturer assumptions without independent testing. Results may vary by settings and conditions.

ACCESSORIES

- ▶ LuminIce[®] II virus and bacteria inhibitor helps control viruses and bacteria in the ice machine.
- ▶ iAuCS[®] schedules and performs routine ice machine descaling or sanitizing automatically.
- ▶ Arctic Pure[®] Pro water filters reduce sediments and chlorine contaminants down to 0.5 microns. For optimal performance, use the Arctic Pure prefilter in combination with the Arctic Pure primary filter.



LuminIce II



iAuCS



Arctic Pure Water Filters

INDIGO NXT iP0420

Manitowoc Ice Cube Machine

IDP0420A | IYP0420A | IDP0420W | IYP0420W

INSTALLATION

Ice machine must be installed indoors.

Minimum installation clearance:

- Top/side: 12" (30.5 cm)

- Back: 5" (12.7 cm)

Installation location must be indoors.

A Electrical Entrance (2) Options

B 3/8" (0.95 cm) F.P.T.
Ice Making Water Inlet

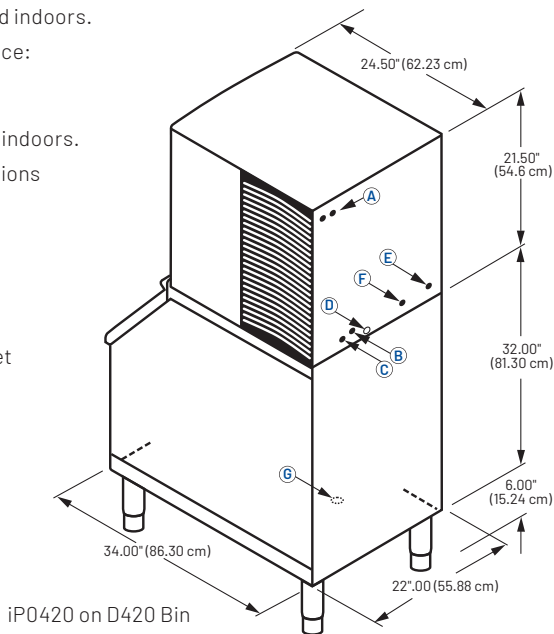
C 1/2" (1.27 cm) F.P.T.
Ice Making Water Outlet

D 1/2" (1.27 cm)
Auxiliary Base Drain Socket

E 3/8" (0.95 cm) F.P.T.
Water Condenser Inlet
(water-cooled units)

F 1/2" (1.27 cm) F.P.T.
Water Condenser Outlet
(water-cooled units)

G 3/4" (1.91 cm)
Bin Drain



SPACE-SAVING DESIGN



	iP0420 D320	iP0420 D420
Height	59.50" 151.13 cm	71.5" 181.61 cm
Width	22.0" 55.9 cm	22.0" 55.9 cm
Depth	34.0" 86.36 cm	34.0" 86.36 cm
Bin Storage	264 lbs 120 kgs	383 lbs 174 kgs

Height includes adjustable bin legs 6.00" to 8.00", (15.24 to 20.32 cm) set at 6.00" (15.24 cm).

Bin capacity is based on 90% of the volume x 33 lbs/ft³ average density of ice. Ice machine and bin sold separately.

SPECIFICATIONS

	Model	Ice Shape	Shipping Weight	Ice Production 24 Hours		Power Usage kWh per 100 lbs of ice	Ice Machine Potable water usage per 100 lbs ice @ 90° Air/70°F Water (32° Air/21°C Water)	Condenser water usage per 100 lbs ice
				70° Air/50°F Water 21° Air/10°C Water	90° Air/70°F Water 32° Air/21°C Water			
Air Cooled	IDP0420A	Dice	131 lbs (59.42 kgs)	463 lbs (210 kgs)	358 lbs (162 kgs)	5.9	14.44 gal (55.7 L)	N/A
	IYP0420A	Half-Dice	134 lbs (60.78 kgs)	437 lbs (198 kgs)	336 lbs (152 kgs)	5.9	14.76 gal (55.9 L)	N/A
Water Cooled	IDP0420W	Dice	132 lbs (59.87 kgs)	442 lbs (205 kgs)	369 lbs (167 kgs)	5.06	13.9 gal (52.6 L)	141.3 (534.9 L)
	IYP0420W	Half-Dice	132 lbs (59.87 kgs)	466 lbs (211 kgs)	416 lbs (189 kgs)	4.81	14 gal (53 L)	114.7 (434 L)

R290 is a refrigerant grade propane which is naturally occurring with no ozone depletion potential and extremely low global warming potential.

Limited Commercial Warranty

Ice Maker Three (3) years parts and labor

Evaporator Five (5) years parts and labor

Compressor Five (5) years parts, three (3) years labor



2110 South 26th Street | Manitowoc, WI 54220 | United States
+1.920.682.0161 | 920.683.7589 Fax | manitowocice.com

All indicated Pentair trademarks and logos are property of Pentair. Third party registered and unregistered trademarks and logos are the property of their respective owners. ©2025 Pentair. All rights reserved.