



Get the App!



Indigo NXT Series iP0800 ice machine on D570 bin. Ice machine and bin sold separately.

ICE SHAPES



▶ **Half-Dice:** 3/8" x 1 1/8" x 7/8"
(0.95 x 2.86 x 2.22 cm)



▶ **Dice:** 7/8" x 7/8" x 7/8"
(2.22 x 2.22 x 2.22 cm)



▶ **Regular:** 1 1/8" x 1 1/8" x 7/8"
(2.86 x 2.86 x 2.22 cm)

SIZE

▶ Up to 781 lbs (354 kgs) of daily ice production

▶ 30" (76.20 cm) wide, 34" (86.36 cm) deep, and 76.5" (194.3 cm) high on 6" (15.24 cm) legs

▶ 532 lbs (241 kgs) ice bin storage capacity*

*Application capacity based on 90% volume x 33 lbs./ft³ average density of ice

SPECIFICATIONS

Refrigerant: R290

- ▶ Air-cooled: 14.1 oz (400 g)
- ▶ Water Cooled: 14.1 oz (400 g)

BTU Per Hour

- ▶ Air-cooled:
 - 14,080 (average)
 - 16,340 (peak)
- ▶ Water-cooled:
 - 14,080 (Average)
 - 16,340 (Peak)

Operating Limits

- ▶ Ambient temperature range: 35° to 110°F (1.7° to 43.3°C)
- ▶ Water temperature range: 40° to 90°F (4.4° to 32.2°C)
- ▶ Water pressure ice maker (water in)
 - Min. 20 psi (137.9 kPa)
 - Max. 80 psi (551.1 kPa)
- ▶ Condenser water pressure
 - Min. 20 psi (137.9 kPa)
 - Max. 276 psi (1,902.95 kPa)

Power: 208-230/60/1

- ▶ Air-cooled
 - Minimum circuit ampacity: 9 amps
 - Maximum fuse size: 15 Amps
- ▶ Water-cooled
 - Minimum circuit ampacity: 8.3 amps
 - Maximum fuse size: 15 amps

FEATURES

- ▶ Sanitation
 - Hinged front door and removable components (water trough, tube, curtain, probe, pump) allow easy interior access and cleaning.
 - Select parts feature AlphaSan[®] antimicrobial protection.
 - DuraTech[™] exterior provides superior corrosion resistance compared to stainless steel. Innovative clear coat resists finger prints and dirt.
 - Optional LuminIce[®] Growth Inhibitor helps control bacteria and yeast, with status indicator on display.
 - ▶ Sustainability & Value
 - R290 offers low global warming potential and zero ozone depletion.
 - Energy-efficient models (see EnergyStar.gov)
 - Icon-based easyTouch[®] display simplifies operation.
 - Acoustical probe and Active Sense help ensure consistent ice production.
 - 24-hour diagnostics support preventative maintenance.
 - Designed with programmable ice production to take advantage of off-peak rates and/or shut off over night to lower lifetime costs.*
 - Connect via Bluetooth for quick setup and instant machine information.
- *Based on manufacturer assumptions without independent testing. Results may vary by settings and conditions.

ACCESSORIES

- ▶ LuminIce[®] II virus and bacteria inhibitor helps control viruses and bacteria in the ice machine.
- ▶ iAuCS[®] schedules and performs routine ice machine descaling or sanitizing automatically.
- ▶ Arctic Pure[®] Pro water filters reduce sediments and chlorine contaminants down to 0.5 microns. For optimal performance, use the Arctic Pure prefilter in combination with the Arctic Pure primary filter.



LuminIce II



iAuCS



Arctic Pure Water Filters

iP0800

Manitowoc Ice Cube Machine

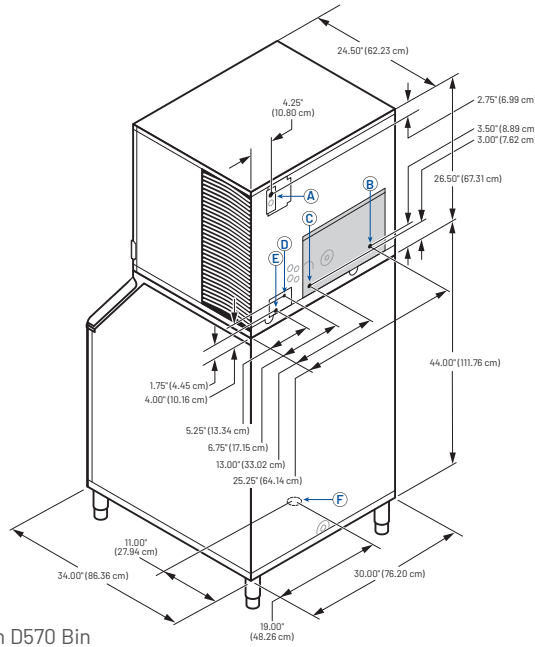
IRP0800A | IDP0800A | IYP0800A | IRP0800W | IDP0800W | IYP0800W

INSTALLATION

Ice machine must be installed indoors.

- Required clearance for
 - Top/side: 8" (20.32 cm)
 - Back: 5" (12.7 cm)

- A** Electrical Entrance (2) Options
 - B** 3/8" (0.95 cm) F.P.T. Water Condenser Inlet (water-cooled units)
 - C** 1/2" (1.27 cm) F.P.T. Water Condenser Outlet (water-cooled units)
 - D** 3/8" (0.95 cm) F.P.T. Ice Making Water Inlet
 - E** 1/2" (1.27 cm) F.P.T. Ice Making Water Drain
 - F** 3/4" (1.91 cm) Bin Drain
- 1/2" (1.27 cm)
 Auxiliary Base Drain Socket (not shown)



iP0800 on D570 Bin

SPACE-SAVING DESIGN



	iP0800 D400	iP0800 D570
Height	64.50" 163.83 cm	76.50" 194.30 cm
Width	30.0" 76.26 cm	30.0" 76.2 cm
Depth	34.0" 86.36 cm	34.0" 86.36 cm
Bin Storage	635 lbs 165 kgs	532 lbs 241 kgs

Height includes adjustable bin legs 6.00" to 8.00", (15.24 to 20.32 cm) set at 6.00" (15.24 cm).

Bin capacity is based on 90% of the volume x 33 lbs/ft³ average density of ice. Ice machine and bin sold separately.

SPECIFICATIONS

	Model	Ice Shape	Shipping Weight	Ice Production 24 Hours		Power Usage kWh per 100 lbs of ice	Ice Machine Potable water usage per 100 lbs ice @ 90° Air/70°F Water (32° Air/21°C Water)	Condenser water usage per 100 lbs ice
				70° Air/50°F Water 21° Air/10°C Water	90° Air/70°F Water 32° Air/21°C Water			
Air Cooled	IRP0800A	Regular	181 lbs (82 kgs)	761 lbs (345 kgs)	650 lbs (295 kgs)	4.81 ★	13.5 gal (51.1 L)	N/A
	IDP0800A	Dice	180 lbs (82 kgs)	775 lbs (352 kgs)	674 lbs (306 kgs)	4.59 ★	13.7 gal (51.9 L)	N/A
	IYP0800A	Half-Dice	183 lbs (83 kgs)	745 lbs (338 kgs)	669 lbs (303 kgs)	4.87 ★	13.7 gal (51.9 L)	N/A
Water Cooled	IRP0800W	Regular	184 lbs (83.5 kgs)	781 lbs (354 kgs)	692 lbs (314 kgs)	3.72	13.6 gal (51.5 L)	115 gal (435 L)
	IDP0800W	Dice	184 lbs (83.5 kgs)	755 lbs (342 kgs)	658 lbs (298 kgs)	3.85	13.7 gal (51.9 L)	115 gal (435 L)
	IYP0800W	Half-Dice	184 lbs (83.5 kgs)	744 lbs (337 kgs)	684 lbs (310 kgs)	3.8	13.5 gal (51.1 L)	115 gal (435 L)

★ Energy Star Model

Limited Commercial Warranty

Ice Maker Three (3) years parts and labor

Evaporator Five (5) years parts and labor

Compressor Five (5) years parts, three (3) years labor



2110 South 26th Street | Manitowoc, WI 54220 | United States
 +1.920.682.0161 | 920.683.7589 Fax | manitowocice.com

All indicated Pentair trademarks and logos are property of Pentair. Third party registered and unregistered trademarks and logos are the property of their respective owners. ©2025 Pentair. All rights reserved.