



Get the App!



Indigo NXT Series iP1000 ice machine on D570 bin. Ice machine and bin sold separately.

### ICE SHAPES



▶ **Half-Dice:** 3/8" x 1 1/8" x 7/8"  
(0.95 x 2.86 x 2.22 cm)



▶ **Dice:** 7/8" x 7/8" x 7/8"  
(2.22 x 2.22 x 2.22 cm)



▶ **Regular:** 1 1/8" x 1 1/8" x 7/8"  
(2.86 x 2.86 x 2.22 cm)

### SIZE

- ▶ Up to 985 lbs (447 kgs) of daily ice production
- ▶ 30" (76.20 cm) wide, 34" (86.36 cm) deep, and 79.5" (201.93 cm) high on 6" (15.24 cm) legs
- ▶ 532 lb (241 kgs) ice bin storage capacity\*

\*Application capacity based on 90% volume x 33 lbs./ft<sup>3</sup> average density of ice

### SPECIFICATIONS

#### Refrigerant: R290

- ▶ Air-cooled: 15.9 oz (451 g)
- ▶ Water Cooled: 15.9 oz (451 g)

#### BTU Per Hour

- ▶ Air-cooled:
  - 13,980 (average)
  - 16,030 (peak)
- ▶ Water-cooled:
  - 13,980 (Average)
  - 16,030 (Peak)

#### Operating Limits

- ▶ Ambient temperature range: 35° to 110°F (1.7° to 43.3°C)
- ▶ Water temperature range: 40° to 90°F (4.4° to 32.2°C)
- ▶ Water pressure ice maker (water in)
  - Min. 20 psi (137.9 kPa)
  - Max. 80 psi (551.1 kPa)

#### Power: 230/60/1

- ▶ Air-cooled-230V
  - Minimum circuit ampacity: 10 amps
  - Maximum fuse size: 15 Amps
- ▶ Water-cooled-230V
  - Minimum circuit ampacity: 9.3 amps
  - Maximum fuse size: 15 Amps

### FEATURES

- ▶ Sanitation
    - Hinged front door and removable components (water trough, tube, curtain, probe, pump) allow easy interior access and cleaning.
    - Select parts feature AlphaSan<sup>®</sup> antimicrobial protection.
    - DuraTech<sup>™</sup> exterior provides superior corrosion resistance compared to stainless steel. Innovative clear coat resists finger prints and dirt.
    - Optional LuminIce<sup>®</sup> Growth Inhibitor helps control bacteria and yeast, with status indicator on display.
  - ▶ Sustainability & Value
    - R290 offers low global warming potential and zero ozone depletion.
    - Energy-efficient models (see EnergyStar.gov)
    - Icon-based easyTouch<sup>®</sup> display simplifies operation.
    - Acoustical probe and Active Sense help ensure consistent ice production.
    - 24-hour diagnostics support preventative maintenance.
    - Designed with programmable ice production to take advantage of off-peak rates and/or shut off over night to lower lifetime costs.\*
    - Connect via Bluetooth for quick setup and instant machine information.
- \*Based on manufacturer assumptions without independent testing. Results may vary by settings and conditions.

### ACCESSORIES

- ▶ LuminIce<sup>®</sup> II virus and bacteria inhibitor helps control viruses and bacteria in the ice machine.
- ▶ iAuCS<sup>®</sup> schedules and performs routine ice machine descaling or sanitizing automatically.
- ▶ Arctic Pure<sup>®</sup> Pro water filters reduce sediments and chlorine contaminants down to 0.5 microns. For optimal performance, use the Arctic Pure prefilter in combination with the Arctic Pure primary filter.



LuminIce II



iAuCS



Arctic Pure Water Filters

# iP1000

## Manitowoc Ice Cube Machine

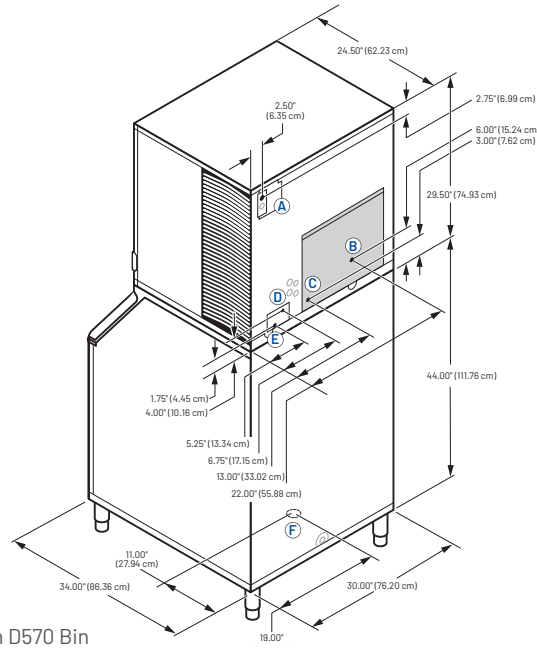
IDP1000A | IYP1000A | IDP1000W | IYP1000W

### INSTALLATION

Ice machine must be installed indoors.

- Required clearance for  
 - Top/side: 20.32 cm (8")  
 - Back: 12.7 cm (5")

- A** Electrical Entrance (2) Options
  - B** 3/8" (0.95 cm) F.P.T. Water Condenser Inlet (water-cooled units)
  - C** 1/2" (1.27 cm) F.P.T. Water Condenser Outlet (water-cooled units)
  - D** 3/8" (0.95 cm) F.P.T. Ice Making Water Inlet
  - E** 1/2" (1.27 cm) F.P.T. Ice Making Water Drain
  - F** 3/4" (1.91 cm) Bin Drain
- 1/2" (1.27 cm)  
 Auxiliary Base Drain Socket (not shown)



iP1000 on D570 Bin

### SPACE-SAVING DESIGN



	iP1000 D400	iP1000 D570
Height	67.50" 171.45 cm	79.50" 201.93 cm
Width	30.0" 76.26 cm	48.0" 121.9 cm
Depth	34.0" 86.36 cm	34.0" 86.36 cm
Bin Storage	532 lbs 241 kgs	822 lbs 400 kgs

Height includes adjustable bin legs 6.00" to 8.00", (15.24 to 20.32 cm) set at 6.00" (15.24 cm).

Bin capacity is based on 90% of the volume x 33 lbs/ft<sup>3</sup> average density of ice. Ice machine and bin sold separately.

### SPECIFICATIONS

	Model	Ice Shape	Shipping Weight	Ice Production 24 Hours		Power Usage kWh per 100 lbs of ice	Ice Machine Potable water usage per 100 lbs ice @ 90° Air/70°F Water (32° Air/21°C Water)	Condenser water usage per 100 lbs ice
				70° Air/50°F Water 21° Air/10°C Water	90° Air/70°F Water 32° Air/21°C Water			
Air Cooled	IDP1000A	Dice	206 lbs (93 kgs)	970 lbs (440 kgs)	790 lbs (358 kgs)	4.65 ★	13.9 gal (52.6 L)	N/A
	IYP1000A	Half-Dice	200 lbs (90.7 kgs)	971 lbs (440 kgs)	781 lbs (354 kgs)	4.3 ★	13.7 gal (51.9 L)	N/A
Water Cooled	IDP1000W	Dice	199 lbs (90 kgs)	985 lbs (447 kgs)	883 lbs (401 kgs)	3.6	14 gal (53 L)	120 gal (454 L)
	IYP1000W	Half-Dice	199 lbs (90 kgs)	960 lbs (436 kgs)	850 lbs (386 kgs)	3.6	15.9 gal (60.18 L)	120 gal (454 L)

★ Energy Star Model

#### Limited Commercial Warranty

**Ice Maker** Three (3) years parts and labor

**Evaporator** Five (5) years parts and labor

**Compressor** Five (5) years parts, three (3) years labor



2110 South 26th Street | Manitowoc, WI 54220 | United States  
 +1.920.682.0161 | 920.683.7589 Fax | manitowocice.com

All indicated Pentair trademarks and logos are property of Pentair. Third party registered and unregistered trademarks and logos are the property of their respective owners. ©2025 Pentair. All rights reserved.